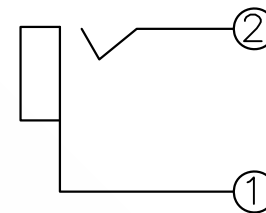
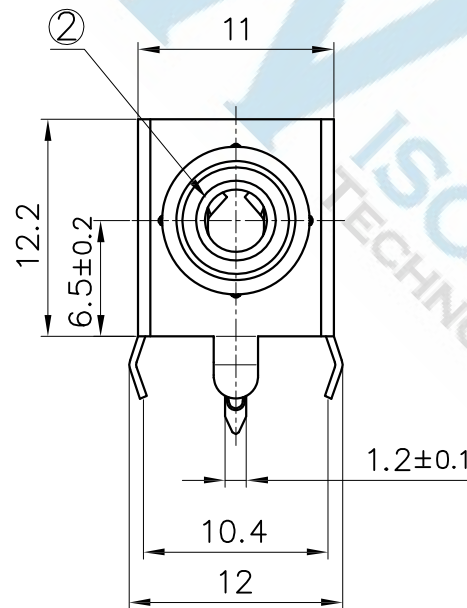
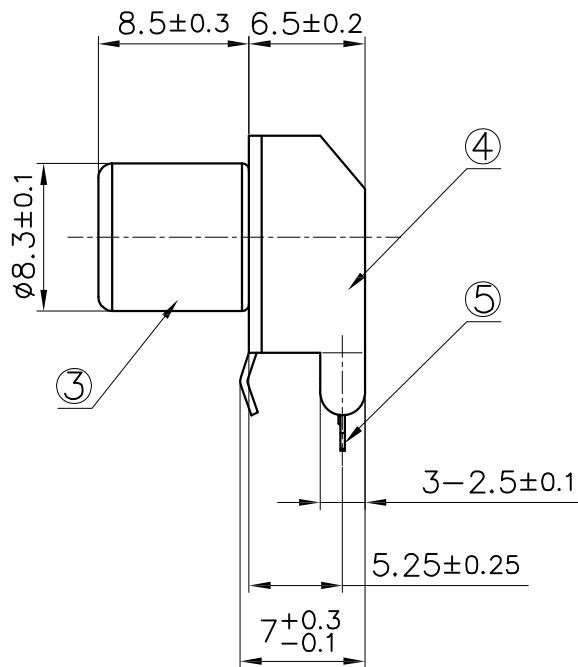
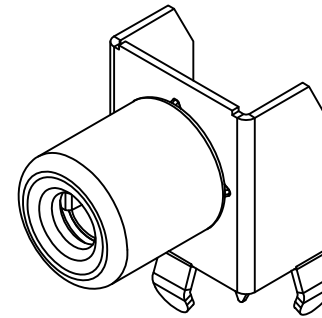
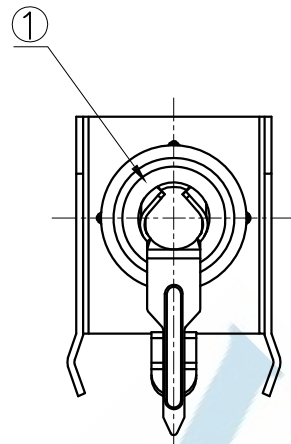
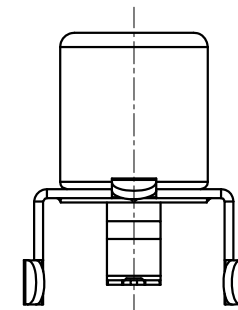


PCB Holes Diagram
Top View



Circuit Diagram



004	YELLOW
003	RED
002	WHITE
001	BLACK
XXX	WASHER COLOR

NO.	PART NAME	TER'NO.	QTY.	MATERIAL	REMARK
5	INSERT TERMINAL	2	1	H62 t=0.25	CuSn-Plated
4	SUPPORT	1	1	SPCC t=0.4	CuSn-Plated
3	OUTER CONTACT		1	H65 t=0.3	CuSn-Plated
2	WASHER		1	PBT UL94 V-0	SEE WASHER COLOR
1	INNER HOUSING		1	PBT UL94 V-0	BLACK

DIMENSIONS TOLERANCE METRIC .0=±0.30 .00=±0.20 .000=±0.10 ANG.=±2°	單位(UNITS)	MM	處理(FINISH)	SEE NOTE	審核(CH'K)	Calvin	圖名(NAME) RCA TACK CONNECTOR 黃色	WISCONN Technology Co., Ltd Tel:02-2742-1798 Fax:02-2742-1898								
	數量(QT'Y)	N/A	繪圖(DRAW)	Johnson	核准(APP'D)	Selena										
	材料(MT'L)	SEE NOTE	設計(DE'N)	Mike	日期(DATE)	OCT.15.2007	料號(PART NUMBER)	WRCA-103C-8.5-004	圖號(DRAW NUMBER)	C003	圖紙(SIZE)	A4	頁次(SHEET)	1	版次(REV.)	A
								圖檔(FILE NAME .DWG)	比例(SCALE)	1/1						