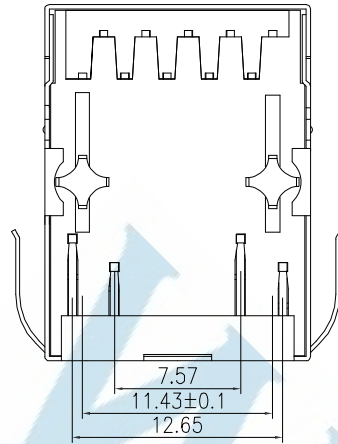


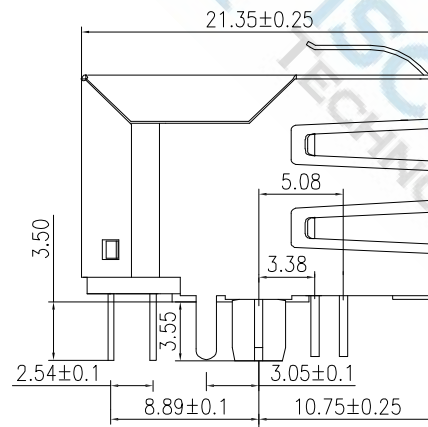
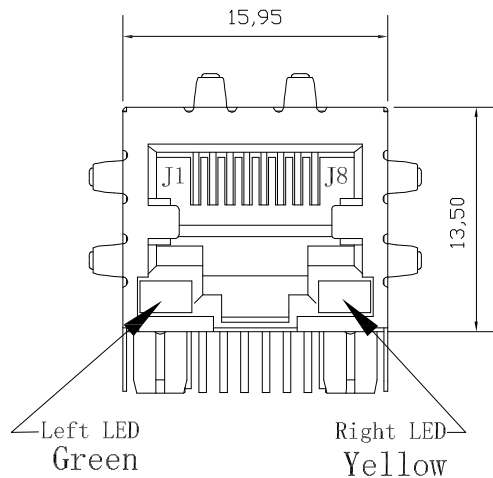
P.C.B RECOMMENDED HOLE LAYOUT SEEN FROM COMPONENT SIDE.  
ALL CENTERLINE DIMENSIONS ARE BASIC



### LED Specification

Standard LED Color	LED Wavelength	Forward (V MAX)	Typical (V TYP)	Luminous Intensity
Green	560-580 nm	2.5V	2.1-2.2V	9-25 MCD
Yellow	580-610 nm	2.5V	2.1-2.2V	9-30 MCD

- LED intensity/wavelength measured with Photo Research PR-650 Colormeter
- With a forward current of 20 mA, Absolute Maximum Ratings (Ta=25°C)



- Connector Material:
  - Housing: Thermoplastic UL94 V-0
  - Contact/Shield: Cooper alloy
  - Shield Plating: Nickel
  - Contact Plating: Selective gold 6u" Min
- Tolerances comply with F.C.C dimension requirements
- Durability: 800 mating Min

DIMENSIONS TOLERANCE	單位(UNITS)	MM	處理(FINISH)	SEE NOTE	審校(CH'K)	Calvin	圖名(NAME)		WISCONN Technology Co., Ltd Tel: 02-2790-1979 Fax: 02-2790-1569							
	METRIC	數量(QT'Y)	N/A	繪圖(DRAW)	Johnson	核准(APP'D)	Selena	料號(PART NUMBER)					WRJ-1104C1009-1			
.0=±0.30 .00=±0.20 .000=±0.10 ANG.=±2°	材料(MT'L)	SEE NOTE	設計(DE'N)	Mike	日期(DATE)	DEC.14.2015	圖號(DRAW NUMBER)	C006	比例(SCALE)	1/1	圖紙(SIZE)	A4	頁次(SHEET)	1	版次(REV.)	A

