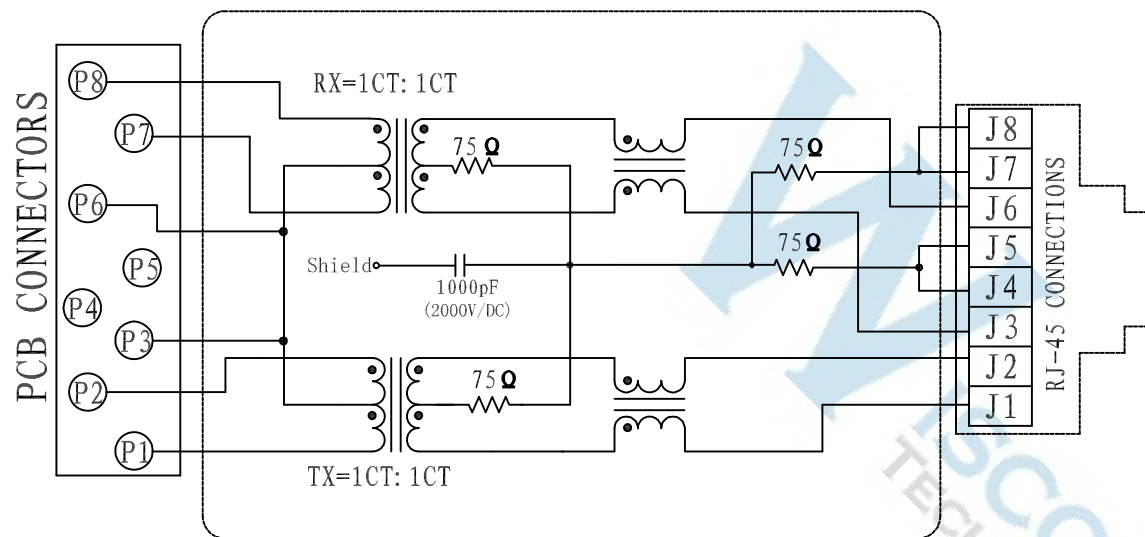




3. Schematics:

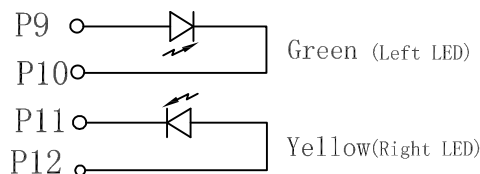


1. Electrical Specifications: @25°C

- 1.1. Isolation Voltage: 1500V/AC (Input to Output)
- 1.2. OCL: 350uH Minimum @100KHz 100mV 8mA DC
- 1.3. Insertion Loss: -1.2dB Maximum @1MHz-100MHz
- 1.4. Return Loss: -18dB Minimum @1MHz-30MHz  
-14dB Minimum @30MHz-60MHz  
-12dB Minimum @60MHz-80MHz
- 1.5. Common Mode Rejection: -30dB Minimum @1MHz-100MHz
- 1.6. Cross Talk: -30dB Minimum @1MHz-100MHz

2. Operating and Storage Temperature:

- 2.1. Operating Temperature: -40°C to +85°C
- 2.1. Storage Temperature: -40°C to +85°C



|   |           |          |            |          |           |             |   |                |  |     |          |    |           |   |          |
|---|-----------|----------|------------|----------|-----------|-------------|---|----------------|--|-----|----------|----|-----------|---|----------|
| DIMENSIONS TOLERANCE<br>METRIC<br>.0=±0.30<br>.00=±0.20<br>.000=±0.10<br>ANG.=±2° | 單位(UNITS) | MM       | 處理(FINISH) | SEE NOTE | 審校(CH'K)  | Calvin      | 圖名(NAME)<br>RJ45 1x1Port Jack With 10/100<br>Base-T Magnetics Module (LED錯位腳) |                | WISCONN Technology Co., Ltd<br>Tel: 02-2742-1798 Fax: 02-2742-1898 |     |          |    |           |   |          |
|   | 數量(QTY)   | N/A      | 繪圖(DRAW)   | Johnson  | 核准(APP'D) | Selena      | 料號(PART NUMBER)   | WRJ-1104C10106 |  |     |          |    |           |   |          |
|   | 材料(MTL)   | SEE NOTE | 設計(DE'N)   | Mike     | 日期 DATE)  | OCT.15.2007 | 圖號(DRAW NUMBER)   | C006           | 比例(SCALE)  | 1/1 | 圖紙(SIZE) | A4 | 頁次(SHEET) | 1 | 版次(REV.) |