

P. C. B RECOMMENDED HOLE LAYOUT SEEN FROM COMPONENT SIDE.  
ALL CENTERLINE DIMENSIONS ARE BASIC

### LED Specification

Standard LED Color	LED Wavelength	Forward (V MAX)	Typical (V TYP)	Luminous Intensity
Green	560-580 nm	2.5V	2.1-2.2V	9-25 MCD
Yellow	580-610 nm	2.5V	2.1-2.2V	9-30 MCD
Orange	580-610 nm	2.5V	2.1-2.2V	50-100 MCD

#### 4. 1. Connector Material:

Housing: Thermoplastic UL94 V-0

Contact/Shield: Cooper alloy

Shield Plating: Nickel

Contact Plating: Selective gold 6u"; 15u"; 30u"; 50u" Min

#### 4. 2. Tolerances comply with F. C. C dimension requirements

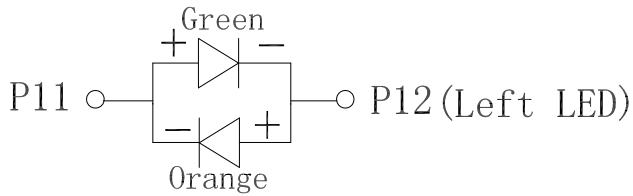
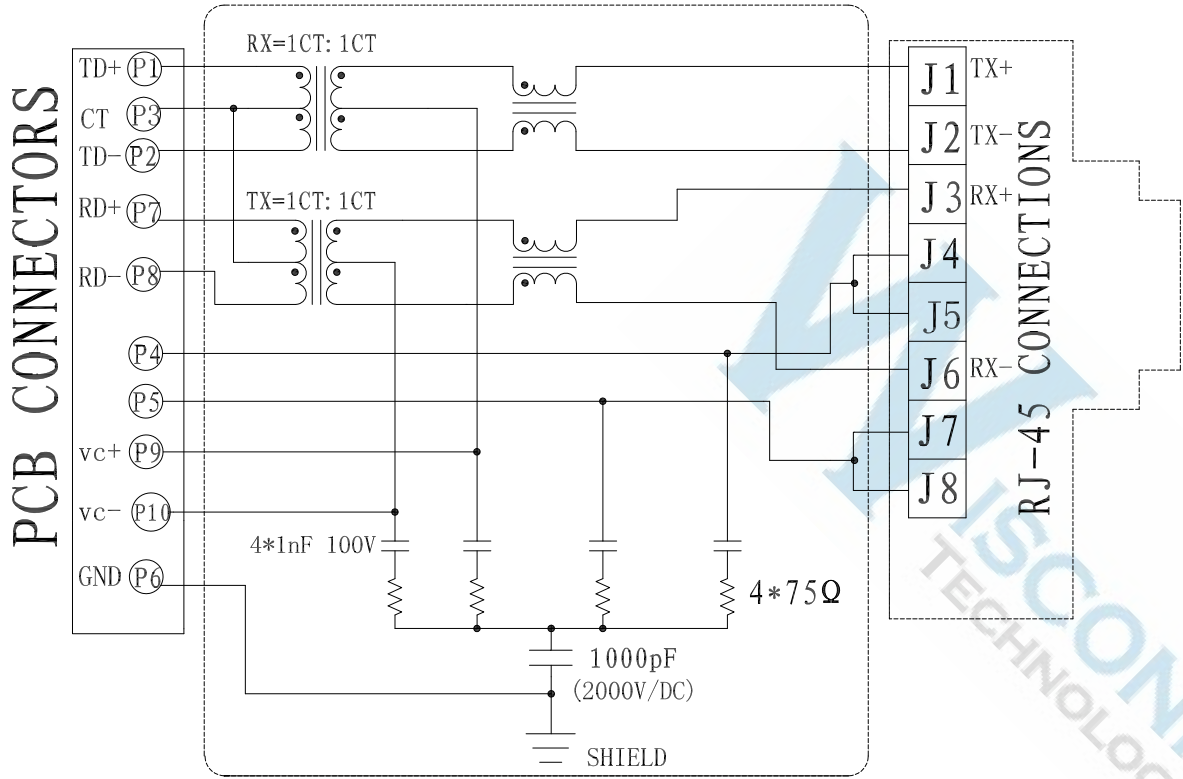
#### 4. 3. Durability: 800 mating Min

#### 4. 4. Meets or Exceeds IEEE802.3af standards including 350uH Min OCL @100KHz 100mV 8mA DC

- LED intensity/wavelength measured with Photo Research PR-650 Colormeter
- With a forward current of 20 mA, Absolute Maximum Ratings (Ta=25°C)

DIMENSIONS TOLERANCE	單位(UNITS)	MM	處理(FINISH)	SEE NOTE	審校(CH'K)	Calvin	圖名(NAME)		WISCONN Technology Co., Ltd Tel: 02-2742-1798 Fax: 02-2742-1898									
	METRIC	數量(QT'Y)	N/A	繪圖(DRAW)	Johnson	核准(APP'D)	Selena	RJ45 1x1 POE With 10/100 Base-T Tab Down 左綠橙右黃(3.38 4.9mm) L:21										
.0=±0.30 .00=±0.20 .000=±0.10 ANG.=±2°	材料(MT'L)	SEE NOTE	設計(DE'N)	Mike	日期 DATE)	MAR.24.2015	料號(PART NUMBER)	WRJ-1104E10138	圖號(DRAW NUMBER)	C006	比例(SCALE)	1/1	圖紙(SIZE)	A4	頁次(SHEET)	1	版次(REV.)	A

3. Schematics:



1. Electrical Specifications: @25°C

- 1.1. Isolation Voltage: 1500V/AC (Input to Output)
- 1.2. OCL: 350uH Minimum @100KHz 100mV 8mA DC
- 1.3. Insertion Loss: -1.2dB Maximum @100KHz-100MHz
- 1.4. Return Loss: -18dB Minimum @1MHz-30MHz  
-14dB Minimum @30MHz-60MHz  
-12dB Minimum @60MHz-80MHz
- 1.5. Common Mode Rejection: -30dB Minimum @1MHz-100MHz
- 1.6. Cross Talk: -30dB Minimum @1MHz-100MHz
- 1.7. POE rating: 15W, 350mA 48V (For POE Products Only)

2. Operating and Storage Temperature:

- 2.1. Operating Temperature: -40°C to +85°C
- 2.1. Storage Temperature: -40°C to +85°C

DIMENSIONS TOLERANCE <b>METRIC</b> .0=±0.30 .00=±0.20 .000=±0.10 ANG.=±2°	單位(UNITS)	MM	處理(FINISH)	SEE NOTE	審校(CH'K)	Calvin	圖名(NAME) RJ45 1x1 POE With 10/100 Base-T		<b>WISCONN Technology Co., Ltd</b> Tel: 02-2742-1798 Fax: 02-2742-1898				
	數量(QTY)	N/A	繪圖(DRAW)	Johnson	核准(APP'D)	Selena	Tab Down 左綠橙右黃(3.38 4.9mm) L:21.35						
	材料(MTL)	SEE NOTE	設計(DE'N)	Mike	日期 DATE)	MAR.24.2015	料號(PART NUMBER) WRJ-1104E10138		圖號(DRAW NUMBER) C006	比例(SCALE) 1/1	圖紙(SIZE) A4	頁次(SHEET) 1	版次(REV.) A
								圖檔(FILE NAME .DWG)					