

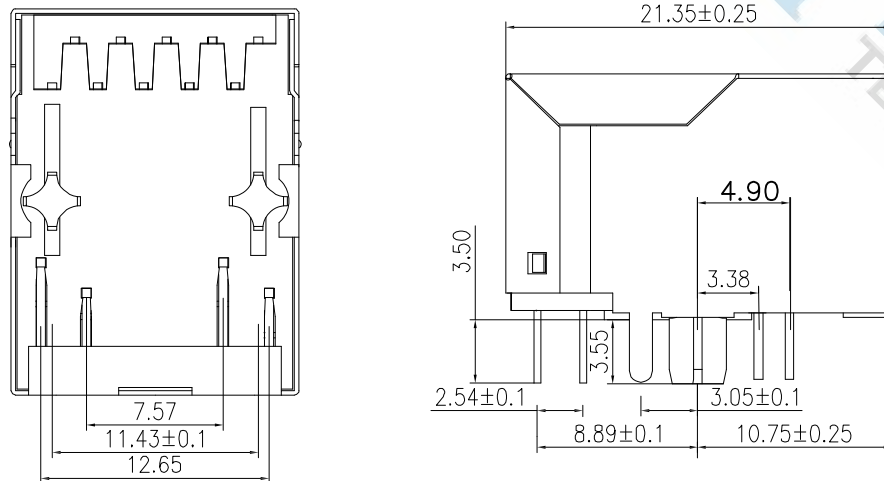
P. C. B RECOMMENDED HOLE LAYOUT SEEN FROM COMPONENT SIDE.
ALL CENTERLINE DIMENSIONS ARE BASIC

LED Specification

Standard LED Color	LED Wavelength	Forward (V MAX)	Typical (V TYP)	Luminous Intensity
Green	560-580 nm	2.5V	2.1-2.2V	9-25 MCD
Yellow	580-610 nm	2.5V	2.1-2.2V	9-30 MCD

- LED intensity/wavelength measured with Photo Research PR-650 Colormeter
- With a forward current of 20 mA, Absolute Maximum Ratings (Ta=25°C)

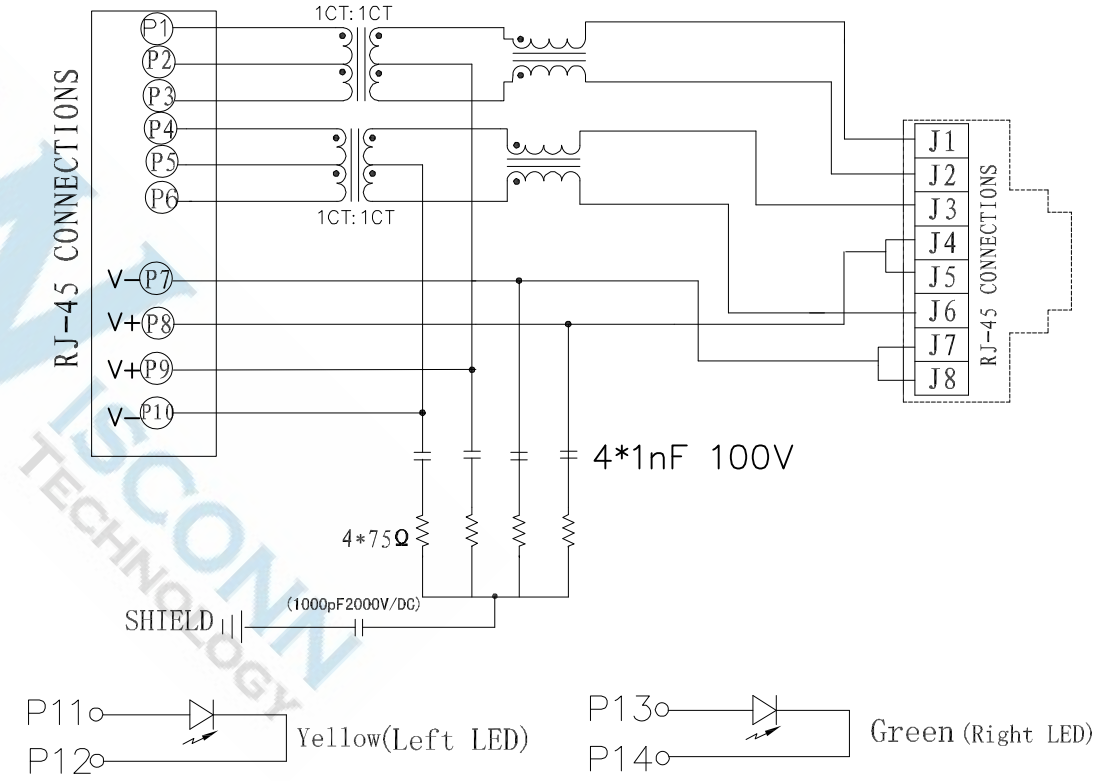
- 4.1. Connector Material:
Housing: Thermoplastic UL94 V-0
Contact/Shield: Cooper alloy
Shield Plating: Nickel
Contact Plating: Selective gold 6u"; 15u"; 30u"; 50u" Min
- 4.2. Tolerances comply with F.C.C dimension requirements
- 4.3. Durability: 800 mating Min



DIMENSIONS TOLERANCE METRIC .0=±0.30 .00=±0.20 .000=±0.10 ANG.=±2°	單位(UNITS)	MM	處理(FINISH)	SEE NOTE	審核(CH'K)	Calvin	圖名(NAME) RJ45 1x1 POE With 10/100 Base-T Tab Down 左綠右黃(4.9) L:21.35 3.05mm	WISCONN Technology Co., Ltd Tel:02-2790-1979 Fax:02-2790-1569								
	數量(QT'Y)	N/A	繪圖(DRAW)	Johnson	核准(APP'D)	Selena							料號(PART NUMBER)	WRJ-1104E1091		
	材料(MT'L)	SEE NOTE	設計(DE'N)	Mike	日期(DATE)	JAN.06.2016	圖號(DRAW NUMBER)	C006	比例(SCALE)	1/1	圖紙(SIZE)	A4	頁次(SHEET)	1	版次(REV.)	A
								圖檔(FILE NAME .DWG)								

- 1.1. Isolation Voltage: 1500V/AC(Input to Output)
- 1.2. OCL: 350uH Minimum @100KHz 100mV 8mA DC
- 1.3. Insertion Loss: -1.2dB Maximum @100KHz-100MHz
- 1.4. Return Loss: -18dB Minimum @1MHz-30MHz
 -14dB Minimum @30MHz-60MHz
 -12dB Minimum @60MHz-80MHz
- 1.5. Common Mode Rejection: -30dB Minimum @1MHz-100MHz
- 1.6. Cross Talk: -30dB Minimum @1MHz-100MHz
- 1.7. POE rating: 15W , 350mA 48V (For POE Products Only)
- 2. Operating and Storage Temperature:
 - 2.1. Operating Temperature: -40°C to +85°C
 - 2.2. Storage Temperature: -40°C to +85°C

3. Schematics:



DIMENSIONS TOLERANCE METRIC .0=±0.30 .00=±0.20 .000=±0.10 ANG.=±2°	單位(UNITS)	MM	處理(FINISH)	SEE NOTE	審校(CH'K)	Calvin	圖名(NAME) RJ45 1x1 POE With 10/100 Base-T Tab Down 左綠右黃(4.9) L:21.35 3.05mm		WISCONN Technology Co., Ltd Tel:02-2790-1979 Fax:02-2790-1569							
	數量(QTY)	N/A	繪圖(DRAW)	Johnson	核准(APP'D)	Selena	料號(PART NUMBER)	WRJ-1104E1091								
	材料(MTL)	SEE NOTE	設計(DE'N)	Mike	日期 DATE)	JAN.06.2016	圖號(DRAW NUMBER)	C006	比例 (SCALE)	1/1	圖紙 (SIZE)	A4	頁次 (SHEET)	1	版次 (REV.)	A
								圖檔(FILE NAME .DWG)								