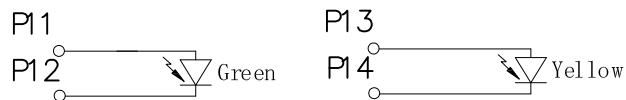
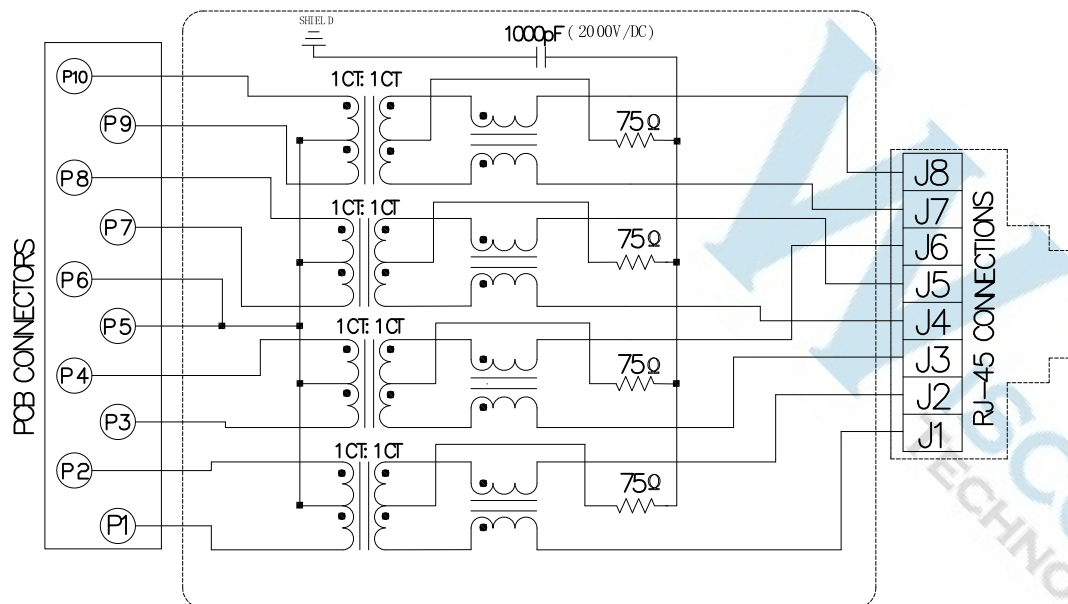




### 3. Schematics:



### 1. Electrical Specifications:@25°C

- 1.1. Isolation Voltage: 1500V/AC (Input to Output)
- 1.2. OCL: 350uH Minimum @100KHz 100mV 8mA DC
- 1.3. Insertion Loss: -1.2dB Maximum @100KHz-100MHz
- 1.4. Return Loss: -18dB Minimum @1MHz-30MHz  
-14dB Minimum @30MHz-60MHz  
-12dB Minimum @60MHz-80MHz
- 1.5. Common Mode Rejection: -30dB Minimum @1MHz-100MHz
- 1.6. Cross Talk: -30dB Minimum @1MHz-100MHz
- 2. Operating and Storage Temperature:
  - 2.1. Operating Temperature: -40°C to +85°C
  - 2.1. Storage Temperature: -40°C to +85°C

DIMENSIONS TOLERANCE <b>METRIC</b> .0=±0.30 .00=±0.20 .000=±0.10 ANG.=±2°	單位(UNITS)	MM	處理(FINISH)	SEE NOTE	審校(CH'K)	Calvin	圖名(NAME) RJ45 1*1 Port 100/1000 Transformer 梅花腳 w/LED(G/Y)		<b>WISCONN Technology Co., Ltd</b> Tel:02-2742-1798 Fax:02-2742-1898							
	數量(QTY)	N/A	繪圖(DRAW)	Johnson	核准(APP'D)	Selena	料號(PART NUMBER)	WRJ-1108D1016-2								
	材料(MTL)	SEE NOTE	設計(DE'N)	Mike	日期 DATE)	OCT.15.2007	圖號(DRAW NUMBER)	C006	比例(SCALE)	1/1	圖紙(SIZE)	A4	頁次(SHEET)	1	版次(REV.)	A
								圖檔(FILE NAME .DWG)								