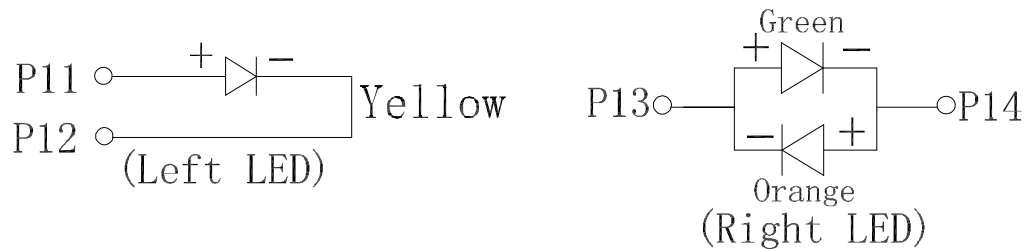
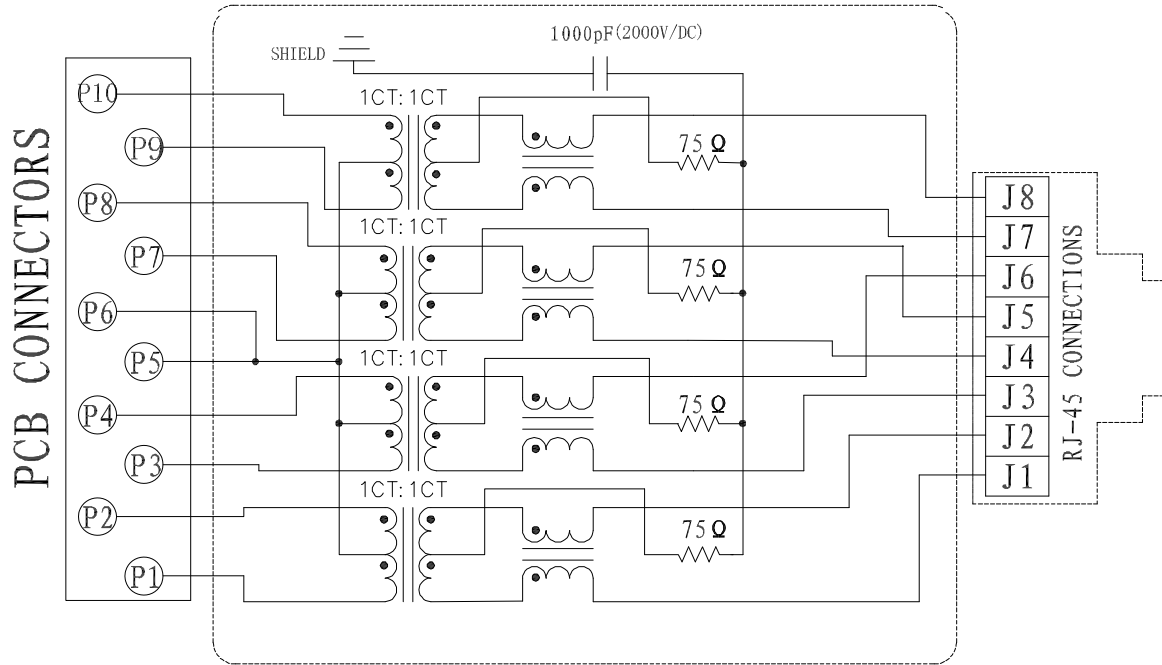


3. Schematics:



1. Electrical Specifications: @25°C

- 1.1. Isolation Voltage: 1500V/AC (Input to Output)
- 1.2. OCL: 350uH Minimum @100KHz 100mV 8mA DC
- 1.3. Insertion Loss: -1.2dB Maximum @100KHz-100MHz
- 1.4. Return Loss: -18dB Minimum @1MHz-30MHz
 -14dB Minimum @30MHz-60MHz
 -12dB Minimum @60MHz-80MHz
 -10dB Minimum @80MHz-100MHz
- 1.5. Common Mode Rejection: -30dB Minimum @1MHz-100MHz
- 1.6. Cross Talk: -30dB Minimum @1MHz-100MHz
- 2. Operating and Storage Temperature:
 - 2.1. Operating Temperature: -40°C to +85°C
 - 2.2. Storage Temperature: -40°C to +85°C

DIMENSIONS TOLERANCE METRIC .0=±0.30 .00=±0.20 .000=±0.10 ANG.=±2°	單位(UNITS)	MM	處理(FINISH)	SEE NOTE	審核(CH'K)	Calvin	圖名(NAME)		WISCONN Technology Co., Ltd Tel:02-2742-1798 Fax:02-2742-1898							
	數量(QTY)	N/A	繪圖(DRAW)	Johnson	核准(APP'D)	Selena	料號(PART NUMBER)	WRJ-1108E5011-3								
	材料(MTL)	SEE NOTE	設計(DE'N)	Mike	日期 DATE)	MAR.03.2015	圖號(DRAW NUMBER)	C006	圖檔(FILE NAME .DWG)	比例(SCALE)	1/1	圖紙(SIZE)	A4	頁次(SHEET)	1	版次(REV.)