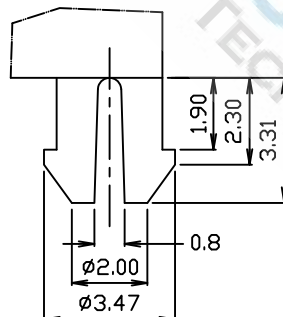
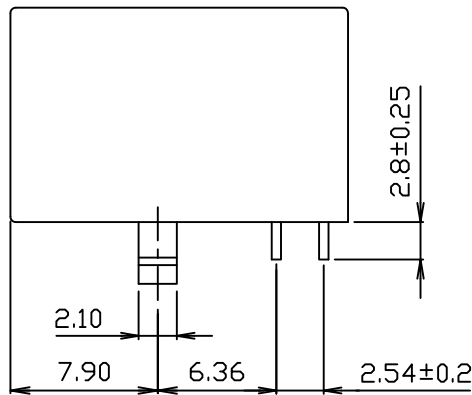
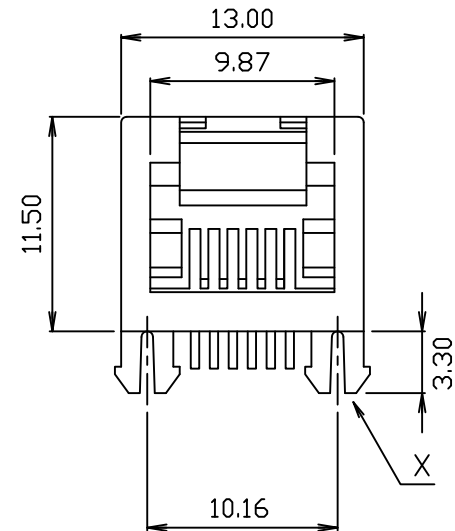


PC Board Layout



DETAIL X

MATERIALS:

- HOUSING-PBT POLYESTER UL94V-0 MIXED GLASS FIBER. STANDARD COLOR-BLACK
- CONTACTS-0.45mm DIM. PHOS-BRONZE PLATED WITH GOLD FLASH.

CAVITY CONFIRMS TO FCC RULES AND REGULATIONS PART 68,SUBPART F.

DIMENSIONS TOLERANCE METRIC .0±±0.30 .00±±0.20 .000±±0.10 ANG.=±2°	單位(UNITS)	MM	處理(FINISH)	SEE NOTE	審核(CH'K)	Calvin	圖名(NAME) RJ11 6P6C 1x1 PORT WITHOUT SHIELDED L:18.1	WISCONN Technology Co., Ltd Tel:02-2742-1798 Fax:02-2742-1898							
	數量(QT'Y)	N/A	繪圖(DRAW)	Johnson	核准(APP'D)	Selena	料號(PART NUMBER)							WRJ1H-66-A-xxxRA3	
	材料(MT'L)	SEE NOTE	設計(DE'N)	Mike	日期(DATE)	OCT.15.2007	圖號(DRAW NUMBER)	T019	比例(SCALE)	1/1	圖紙(SIZE)	A4	頁次(SHEET)	1	版次(REV.)