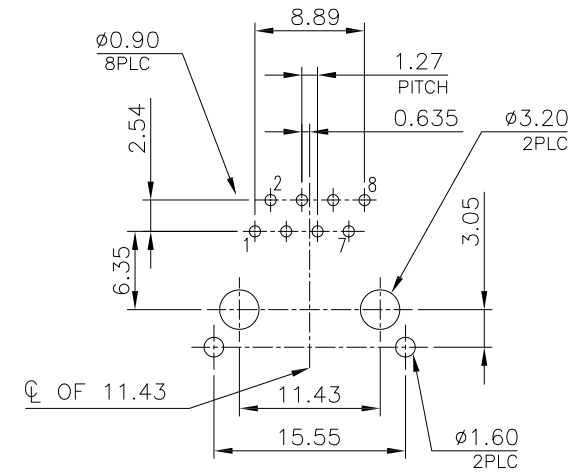
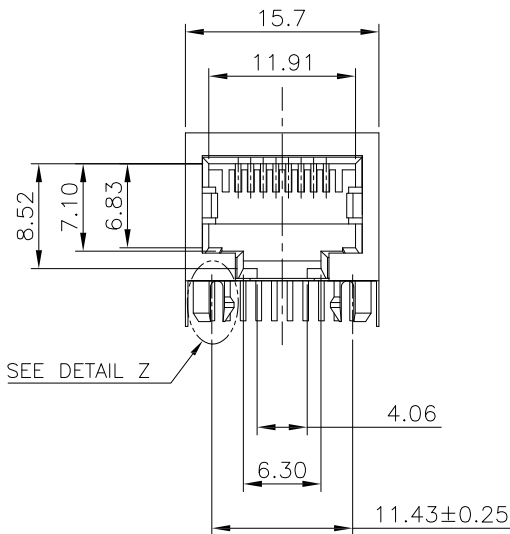


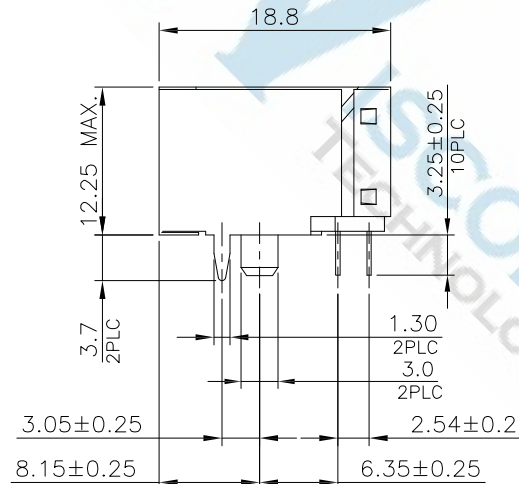
DETAIL Z  
SCALE 2:1



RECOMMENDED PCB LAYOUT  
RECOMMENDED PCB THICKNESS: 1.6mm  
TOLERANCE: ±0.05 (TOP VIEW)



SEE DETAIL Z



NOTE:

CAVITY CONFIRMS TO FCC RULES AND REGULATIONS PART 68, SUBPART F.

1. MATERIAL:

- 1.1 HOUSING & COVER & INSERT HOUSING:  
PBT, WITH GLASS FIBER,  
UL94V-0, STANDARD COLOR-BLACK.
- 1.2 CONTACTS: PHOSPHOR BRONZE.
- 1.3 SHELL: BRASS.

2. FINISH:

- 2.1 CONTACTS: 0.152μm [6μ"] GOLD PLATED ON CONTACT AREA,  
GOLD FLASH ON SOLDER TAIL,  
1.27μm [50μ"] MIN. NICKEL  
UNDERPLATED OVERALL.
- 2.2 SHELL: 0.508μm [20μ"] MIN. NICKEL PLATED.

DIMENSIONS TOLERANCE <b>METRIC</b> .0=±0.30 .00=±0.20 .000=±0.10 ANG.=±2°	單位(UNITS)	MM	處理(FINISH)	SEE NOTE	審核(CH'K)	Calvin	圖名(NAME) RJ45 10P8C LOW PROFILE H:12.25 WO/LED&EMI F3.05		<b>WISCONN Technology Co., Ltd</b> Tel:02-2790-1979 Fax:02-2790-1569							
	數量(QTY)	N/A	繪圖(DRAW)	Johnson	核准(APP'D)	Selena	料號(PART NUMBER)	WRJ5LP-108-11xxRAA2A1								
	材料(MTL)	SEE NOTE	設計(DE'N)	Mike	日期(DATE)	DEC.10.2015	圖號(DRAW NUMBER)	T019	比例(SCALE)	1/1	圖紙(SIZE)	A4	頁次(SHEET)	1	版次(REV.)	A
								圖檔(FILE NAME .DWG)								