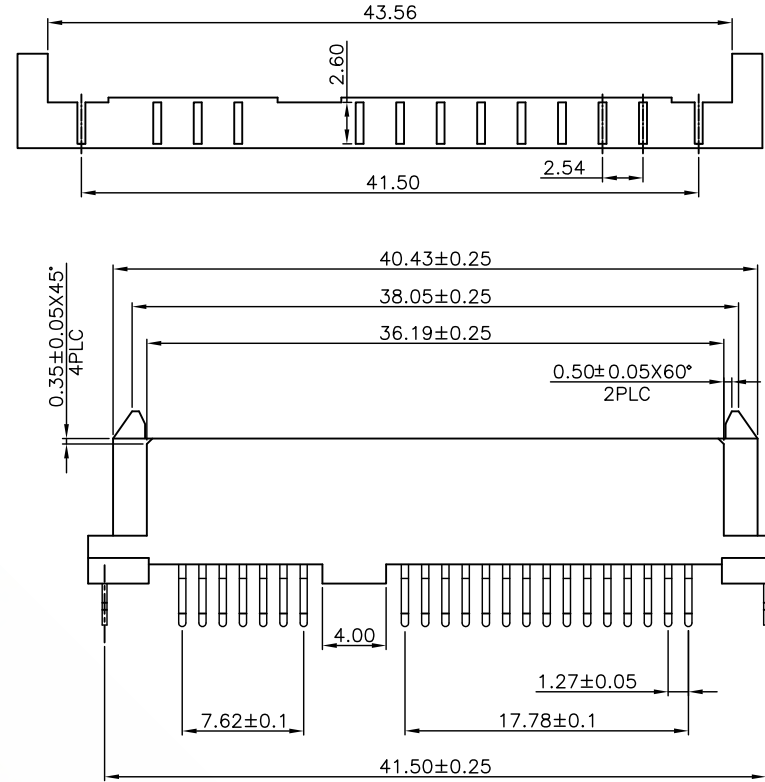
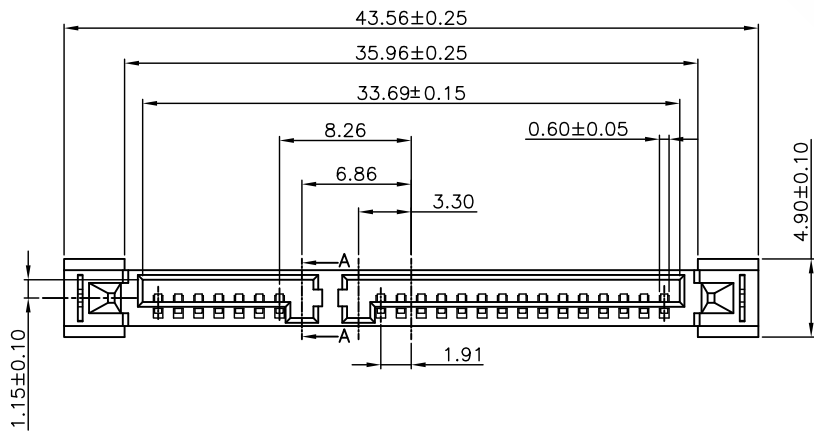


RECOMMENDED PCB LAYOUT
PCB TOLERANCE:±0.05



SPECIFICATION:

MATERIAL:

HOUSING: LCP UL94V-0

COLOR: BLACK

CONTACT: BRASS C2680R-H,T=0.25mm

PEG: BRASS C2680R-H,T=0.30mm

FINISH:

CONTACT:GOLD/TIN PLATING ON CONTACT AREA

100u" MIN. TIN PLATING ON SOLDERTAILS

50u" MIN. NICKEL UNDERPLATING OVERALL

PEG: 100u" MIN. TIN PLATING ON SOLDERTAILS

50u" MIN. NICKEL UNDERPLATING OVERALL

DIMENSIONS TOLERANCE METRIC .0=±0.38 .00=±0.25 .000=±0.15 ANG.=±2°	單位(UNITS)	MM	處理(FINISH)	SEE NOTE	審校(CH'K)	Calvin	圖名(NAME) SATA 7+15P 雙排腳DIP A腳位夾板 1.60帶魚叉2.7mm	WISCONN Technology Co., Ltd Tel:02-2742-1798 Fax:02-2742-1898								
	數量(QT'Y)	N/A	繪圖(DRAW)	Johnson	核准(APP'D)	Selena							料號(PART NUMBER)	WSTA-22xxLBSTRD-2.7		
	材料(MT'L)	SEE NOTE	設計(DE'N)	Mike	日期 DATE)	OCT.15.2007	圖號(DRAW NUMBER)	C002	圖檔(FILE NAME .DWG)	比例 (SCALE)	1/1	圖紙 (SIZE)	A4	頁次 (SHEET)	1	版次 (REV.)