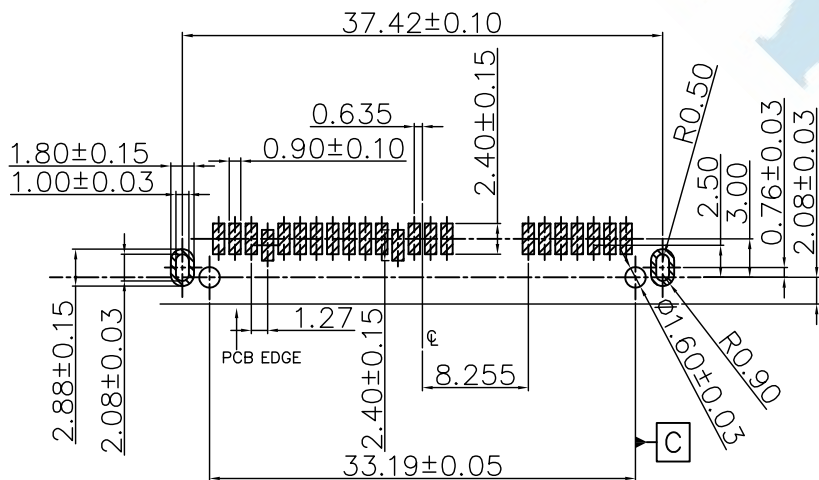
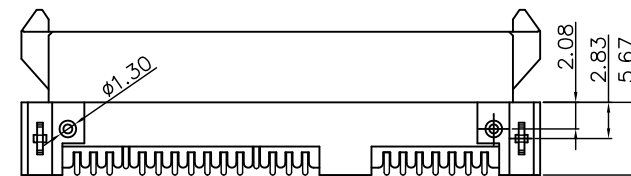
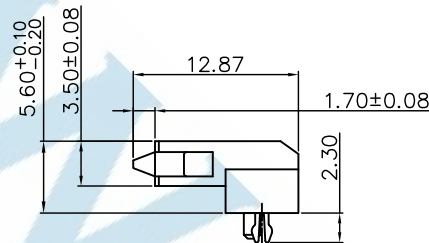
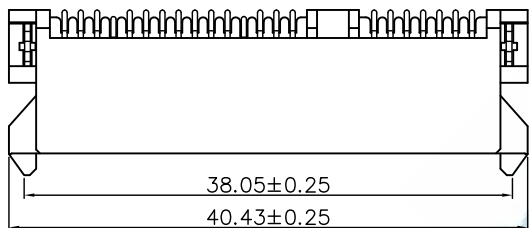
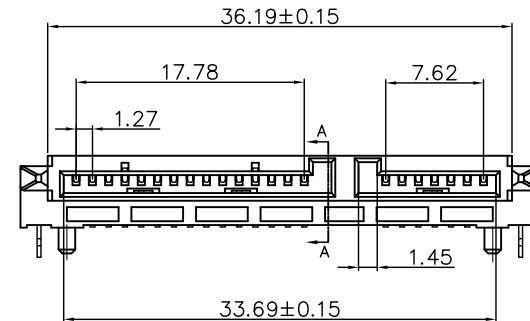


SECTION A-A



P.C. BOARD LAYOUT

SPECIFICATION:

MATERIAL:

HOUSING: LCP UL94V-0

COLOR: BLACK

CONTACT: BRASS

PEG: BRASS

FINISH:

CONTACT: (1u"/15u") GOLD/TIN PLATING ON CONTACT AREA

100u" MIN. TIN PLATING ON SOLDER TAILS

50u" MIN. NICKEL UNDERPLATING OVERALL

PEG: 100u" MIN. TIN PLATING ON SOLDER TAILS

50u" MIN. NICKEL UNDERPLATING OVERALL

DIMENSIONS TOLERANCE METRIC .0=±0.38 .00=±0.25 .000=±0.15 ANG.=±2°	單位(UNITS)	MM	處理(FINISH)	SEE NOTE	審校(CH'K)	Calvin	圖名(NAME) SATA 7+15P 板上 Female SMT H:5.6mm	WISCONN Technology Co., Ltd Tel:02-2742-1798 Fax:02-2742-1898					
	數量(QT'Y)	N/A	繪圖(DRAW)	Johnson	核准(APP'D)	Selena							料號(PART NUMBER)
	材料(MT'L)	SEE NOTE	設計(DE'N)	Mike	日期(DATE)	OCT.15.2007	圖號(DRAW NUMBER)	C002	圖紙(SIZE)	A4	頁次(SHEET)	1	版次(REV.)