

NOTES:

***Material**

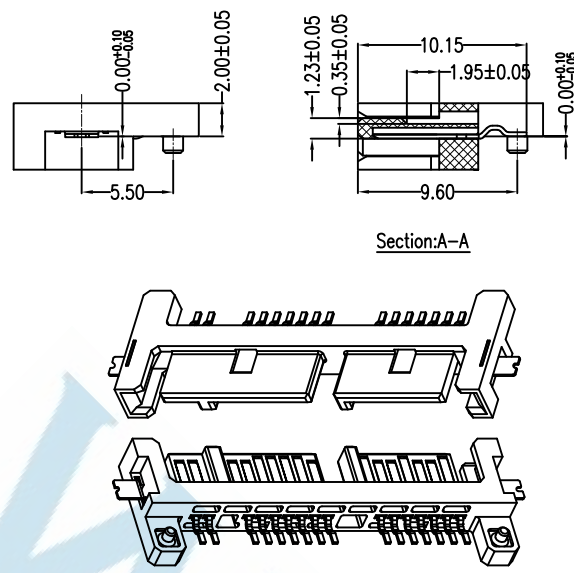
Housing: LCP, UL 94V-0 rated, Color: Black;
 Contact: Brass;
 Plating: Gold plating over Nickel on contact area; Tin plating on solder tail.
 Harpoon: Brass;
 Plating: Tin plating over Nickel.

***Mechanical**

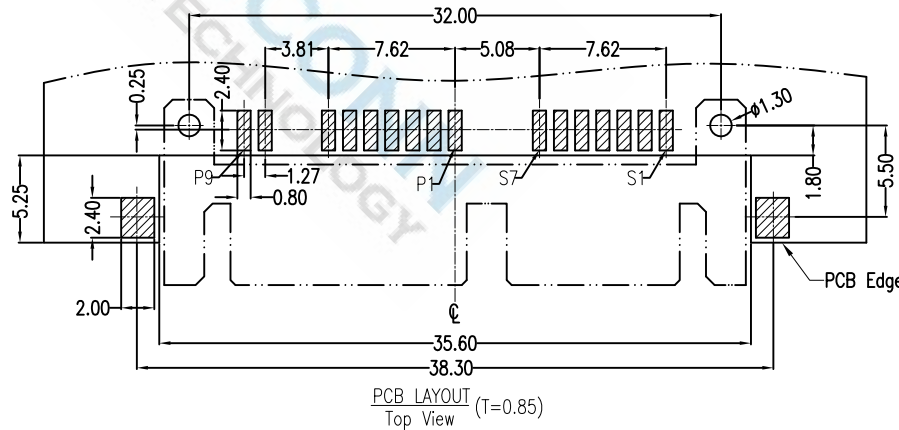
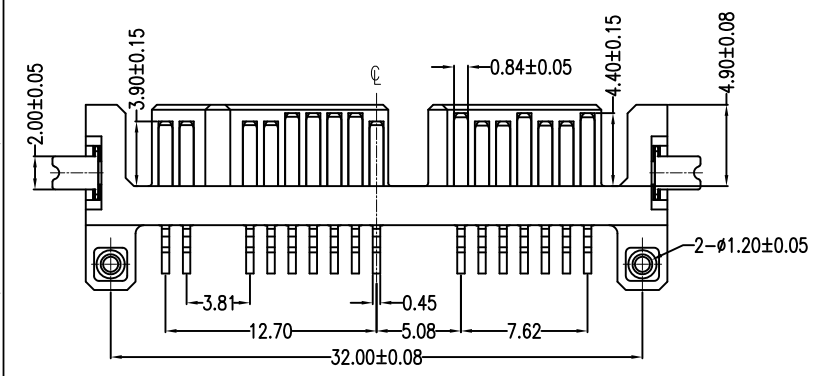
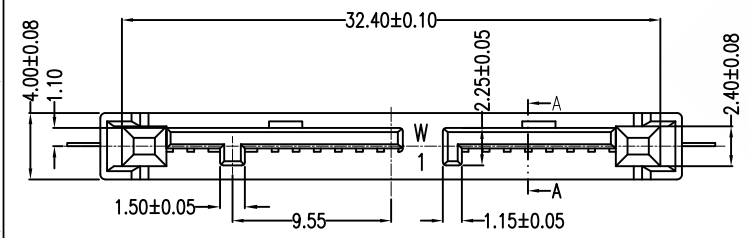
Insertion Force: 45N max.
 Withdrawal Force: 10N min.
 Durability: 500 cycles

***Electrical Specification**

Current Rating: 1.5 Ampere per contact;
 Contact Resistance: 30 Milliohms max.
 Insulation Resistance: 1000 megohms min.
 Dielectric Withstanding Voltage: 500 V AC.



Product 3D



PCB LAYOUT (T=0.85)
Top View

Pin Number	Signal Name
S1	GND
S2	RX+
S3	RX-
S4	GND
S5	TX-
S6	TX+
S7	GND

Pin Number	Power Line Designation
P1	+3.3V
P2	+3.3V
P3	GND
P4	GND
P5	+5.5V
P6	+5.5V
P7	DAS/DSS
P8	Optional
P9	Optional

DIMENSIONS TOLERANCE METRIC .0=±0.30 .00=±0.20 .000=±0.10 ANG.=±2°	單位(UNITS)	MM	處理(FINISH)	SEE NOTE	審核(CH'K)	Calvin	圖名(NAME) MIRCO SATA 7+7+2 PIN Male SMT TYPE	WISCONN Technology Co., Ltd Tel:02-2742-1798 Fax:02-2742-1898								
	數量(QT'Y)	N/A	繪圖(DRAW)	Johnson	核准(APP'D)	Selena										
	材料(MT'L)	SEE NOTE	設計(DE'N)	Mike	日期(DATE)	OCT.15.2007	料號(PART NUMBER)	WSTAM-1615LBSR	圖號(DRAW NUMBER)	T007	圖紙(SHEET)	A4	頁次(SHEET)	1	版次(REV.)	A
								比例(SCALE)	1/1							