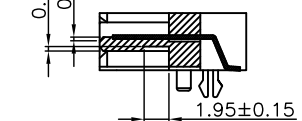
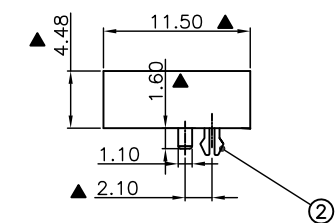


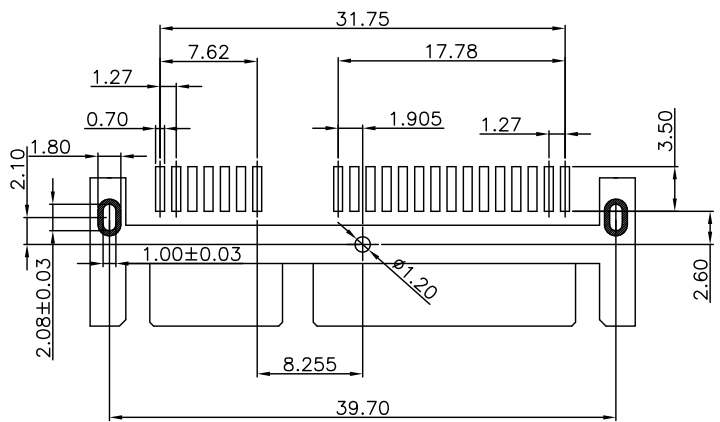
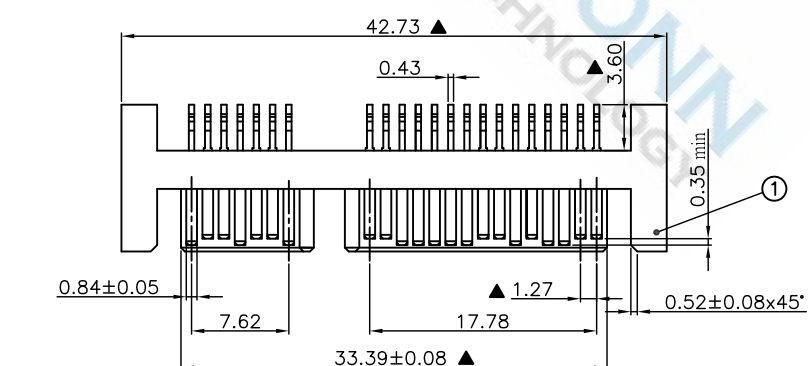
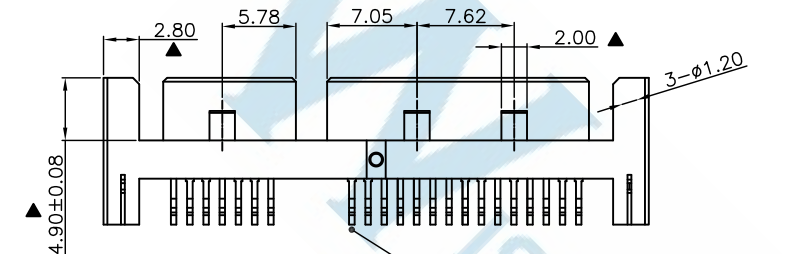
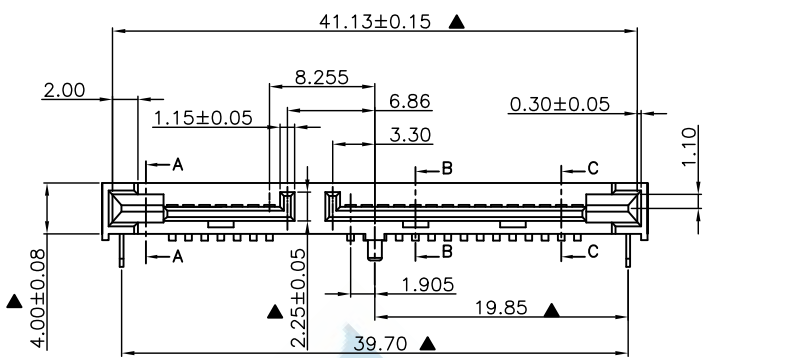
SECTION A-A



SECTION B-B



SECTION C-C



PCB LAYOUT  
RECOMMENDED PCB TOLERANCE:±0.05

SPECIFICATION:  
 1.MATERIAL:  
 HOUSING:LCP E130i 30% G/F UL 94V-0  
 COLOR:BLACK  
 CONTACT:BRASS C2680R EH,T=0.25mm  
 Peg:BRASS C2680R EH,T=0.30mm  
 2.FINISH:  
 CONTACT:1u" GOLD/TIN PLATING ON CONTACT AREA  
 100u" MIN. TIN PLATING ON SOLDERTAILS  
 50u" MIN.NICKEL UNDERPLATING OVER ALL  
 Peg:100u" MIN. TIN PLATING ON SOLDERTAILS  
 50u" MIN.NICKEL UNDERPLATING OVER ALL  
 3.ELECTRICAL  
 CURRENT RATING: 1.5A PER PIN MIN.  
 CONTACT RESISTANCE: 30m OHM MAX.  
 INSULATION RESISTANCE: 1000M OHM MIN.  
 DIELECTRIC WITHSTANDING VOLTAGE: 500VAC.

3	Peg	Brass C2680		Tin/Ni Plated
2	Terminal	Brass C2680		Gold/Tin Plated
1	Housing	High Temp	Black	UL 94V-0
NO.	DESCRIPTION	MATERIAL	COLOR	REMARK

DIMENSIONS TOLERANCE METRIC .0=±0.30 .00=±0.20 .000=±0.10 ANG.=±2°	單位(UNITS)	MM	處理(FINISH)	SEE NOTE	審校(CH'K)	Calvin	圖名(NAME) SATA 7+15P 公座 魚叉定位SMT R/A 反向
	數量(QT'Y)	N/A	繪圖(DRAW)	Johnson	核准(APP'D)	Selena	
	材料(MT'L)	SEE NOTE	設計(DE'N)	Mike	日期 DATE)	OCT.15.2007	料號(PART NUMBER) WSTAM-22FLBSR-R-2
							圖號(DRAW NUMBER) C002
							圖檔(FILE NAME .DWG)

**WISCONN Technology Co., Ltd**  
 Tel:02-2742-1798 Fax:02-2742-1898

比例 (SCALE)	1/1	圖紙 (SIZE)	A4	頁次 (SHEET)	1	版次 (REV.)	A
------------	-----	-----------	----	------------	---	-----------	---