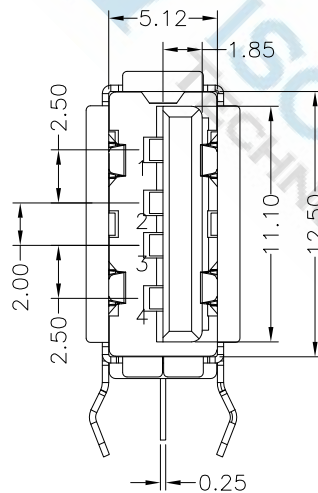


RECOMMENDED P.C.B LAYOUT (TOP VIEW)  
THICKNESS: 1.2mm (TOLERANCE:  $\pm 0.05$ )



**MATERIAL:**

HOUSING: THERMOPLASTIC, GLASS FIBER FILLED.  
UL 94V-0 RATED.

CONTACT: COPPER ALLOY  
SHIELD: COPPER ALLOY OR SPCC

**FINISH:**

CONTACT : SEE PRODUCT NO. DESCRIPTION  
SHIELD :SEE PRODUCT NO. DESCRIPTION

**SPECIFICATIONS:**

- ELECTICAL:**  
CONTACT RESISTANCE : 30 milliohm MAX.  
DIELECTRIC WITHSTANDING VOLTAGE: 500V AC AT SEA LEVEL  
INSULATION RESISTANCE: 1000 Megohms MIN.
- MECHANICAL:**  
MATING FORCE: 3.57KG MAX.  
UNMATING FORCE: 1.02KG MIN.

DIMENSIONS TOLERANCE <b>METRIC</b> .05 $\pm$ 0.30 .00 $\pm$ 0.20 .000 $\pm$ 0.10 ANG. $\pm$ 2°	單位<UNITS>	MM	處理<FINISH>	SEE NOTE	審核<CH'K>	Calvin	圖名<NAME> USB2.0 A/F 側立式反向		<b>WISCONN Technology Co., Ltd</b> Tel:02-2742-1798- Fax:02-2742-1898					
	數量<QT'Y>	N/A	繪圖<DRAW>	Johnson	核准<APP'D>	Selena								
	料號<PART NUMBER>	WU2AF-04FPWDUR-19.3R		圖號<DRAW NUMBER>	T002		比例<SCALE>	1/1	圖紙<SIZE>	A4	頁次<SHEET>	1	版次<REV.>	A
	材料<MT'L>	SEE NOTE	設計<DE'N>	Mike	日期<DATE>	OCT.15.2007	圖檔<FILE NAME .DWG>							