

NOTES:

ELECTRICAL:

- 1.VOLTAGE RATING :125 VAC RMS.
- 2.CURRENT RATING :1.5 AMP.
- 3.CONTACT RESISTANCE :30 MILLIOHMS MAX.
- 4.INSULATION RESISTANCE :1000 MEGOHMS MIN @ 500V DC .
- 5.DIELECTRIC STRENGTH :1000V AC RMS 50Hz. 1MIN.

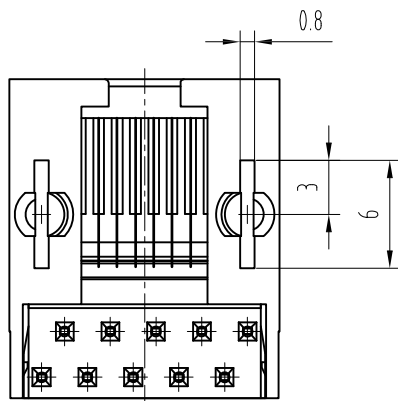
MECHANICAL:

- 1.HOUSING MATERIAL :LEAD FREE POLYESTER UL94V-0.
- 2.CONTACT MATERIAL :PHOSPHOR BRONZE T=0.35mm FLAT PIN OR ϕ 0.46mm ROUND PIN.
- 3.PLATING :GOLD PLATING OVER NICKEL.
- 4.OPERATING :750 CYCLES MIN.
- 5.PCB RETENTION PRE-SOLDER :1 LB MIN.

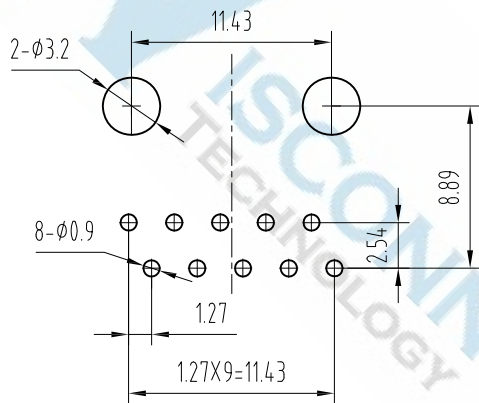
ENVIRONMENTAL:

- 1.Temperature Range : -40°C~+85°C
- 2.Relative Humidity : 90~95% (40±2°C)

MATES WITH MODULAR PLUG CONFORMING TO FCC PART 68, SUBPART F.



PCB LAYOUT



Suggested PCB thickness 1.6mm

DIMENSIONS TOLERANCE METRIC .0=±0.30 .00=±0.20 .000=±0.10 ANG.=±2°	單位(UNITS)	MM	處理(FINISH)	SEE NOTE	審核(CH'K)	Calvin	圖名(NAME) RJ45 1x1 10P10C w-o SHIELDED&LED (L:7.55)		WISCONN Technology Co., Ltd Tel:02-2742-1798- Fax:02-2742-1898							
	數量(QT'Y)	N/A	繪圖(DRAW)	Johnson	核准(APP'D)	Selena	料號(PART NUMBER)	WRJ5H-1010FN6BDR-7.55								
	材料(MT'L)	SEE NOTE	設計(DE'N)	Mike	日期 DATE)	OCT.15.2007	圖號(DRAW NUMBER)	C001	比例(SCALE)	1/1	圖紙(SIZE)	A4	頁次(SHEET)	1	版次(REV.)	A
								圖檔(FILE NAME .DWG)								