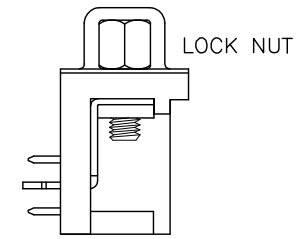
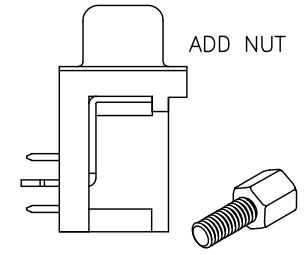
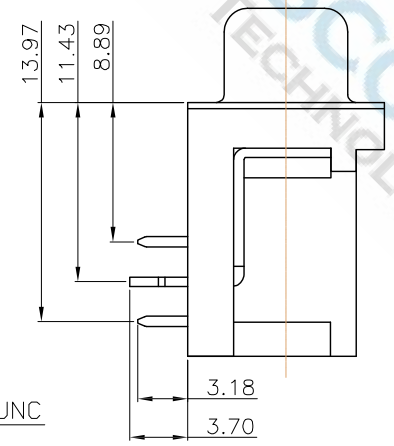
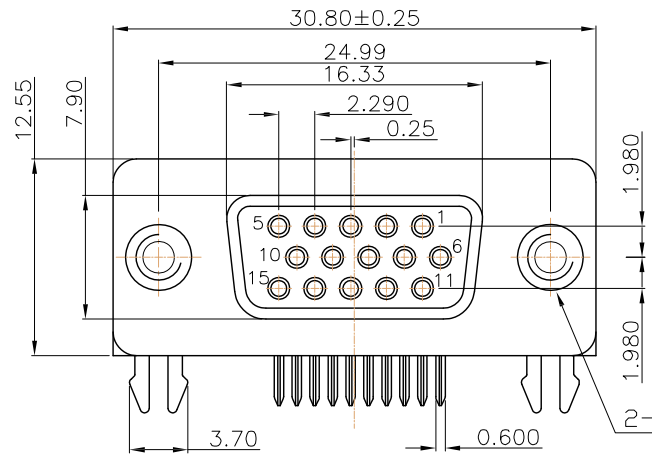


RECOMMENDED PCB LAYOUT



LOCK NUT



ADD NUT

NOTE  
 MATERIAL  
 BODY&LATCH: PBT+30%GF  
 CONTACTS: BRASS  
 SHELL:SPCD  
 CONTACT PLATING: TIN PLATING OVER NICKEL  
 ELECTRICAL SPECIFICATION  
 CURRENT RATING: 3A;  
 CONTACT RESISTANCE: 30mΩ MAX.  
 INSULATION RESISTANCE:1000MΩ MIN,AT DC 500V.  
 DIELECTRIC WITHSTANDING VOLTAGE:AC 1000/60sec.R.M.S.

DIMENSIONS TOLERANCE <b>METRIC</b> .0±±0.30 .00±±0.20 .000±±0.10 ANG.=±2°	單位(UNITS)	MM	處理(FINISH)	SEE NOTE	審核(CH'K)	Calvin	圖名(NAME)		<b>WISCONN Technology Co., Ltd</b> Tel:02-2742-1798 Fax:02-2742-1898					
	數量(QT'Y)	N/A	繪圖(DRAW)	Johnson	核准(APP'D)	Selena	HDR Female 鍍鎳鐵殼 15F 8.89mm							
	料號(PART NUMBER)	WDBF-15FPxDR-8.89	圖號(DRAW NUMBER)	T005	日期(DATE)	OCT.15.2007	比例(SCALE)	1/1	圖紙(SIZE)	A4	頁次(SHEET)	1	版次(REV.)	A
	材料(MT'L)	SEE NOTE	設計(DE'N)	Mike			圖檔(FILE NAME .DWG)							