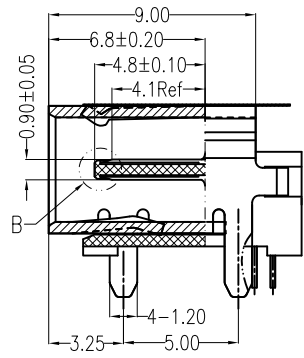
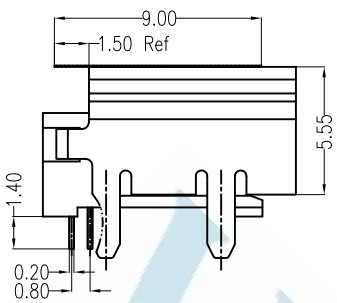
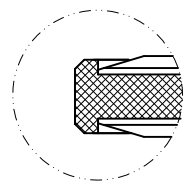
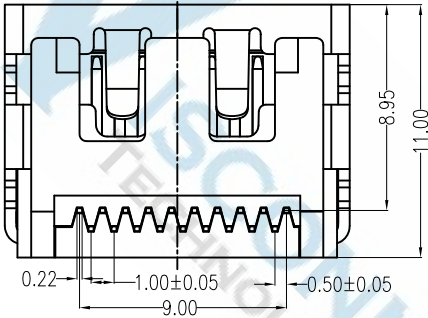


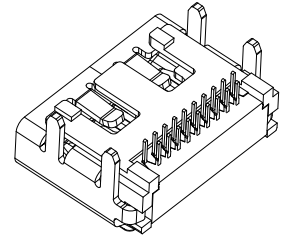
P.C.B LAYOUT (T=1.20mm)
COMPONENT SIDE



SECT:A-A



DETAIL B
SCALE 4:1



NOTES:

- *Material
Housing&Spacer:LCP, UL 94V-0 Rated; Color:Black.
Shell: Brass.
Plating: Nickle Plating .
Film: PET; Color: Brown.
Contact: Brass.
Plating: Gold plating on contact area;
Tin plating on solder tail;
Nickel underplating overall.

*Electrical Specification

- Operation Voltage: 40 VAC max.
- Current Rating: 0.5 Ampere per contact
- Contact Resistance: 10 mΩ max.
- Insulation Resistance: 100 MΩ min.
- Dielectric Withstanding Voltage: 500 VAC

*Environmental

- Operating Temperature: -25°C to +85°C

No.	Signal Name	No.	Signal Name
1	TMDS Data2+	11	TMDS Clock Shield
2	TMDS Data2 Shield	12	TMDS Clock-
3	TMDS Data2-	13	CEC
4	TMDS Data1+	14	Reserved (in cable but N.C. on device)
5	TMDS Data1 Shield	15	SCL
6	TMDS Data1-	16	SDA
7	TMDS Data0+	17	DDC/CEC Ground
8	TMDS Data0 Shield	18	+5V Power
9	TMDS Data0-	19	Hot Plug Detect
10	TMDS Clock+		

DIMENSIONS TOLERANCE METRIC .0±0.30 .00±0.20 .000±0.10 ANG.=±2°	單位(UNITS)	MM	處理(FINISH)	SEE NOTE	審校(CH'K)	Calvin	圖名(NAME) HDMI DIP 19P TWO ROW 反向	WISCONN Technology Co., Ltd Tel:02-2742-1798 Fax:02-2742-1898							
	數量(QT'Y)	N/A	繪圖(DRAW)	Johnson	核准(APP'D)	Selena									
	料號(PART NUMBER)	WHDM-1915LB2DR-R	圖號(DRAW NUMBER)	T002	日期 DATE)	OCT.15.2007	料號(PART NUMBER)	WHDM-1915LB2DR-R	圖號(DRAW NUMBER)	T002					
	材料(MT'L)	SEE NOTE	設計(DE'N)	Mike	日期 DATE)	OCT.15.2007	圖檔(FILE NAME .DWG)		比例(SCALE)	1/1	圖紙(SIZE)	A4	頁次(SHEET)	1	版次(REV.)