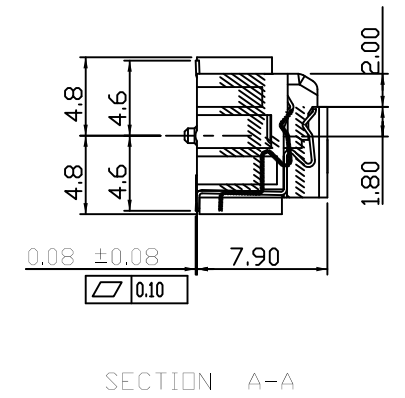
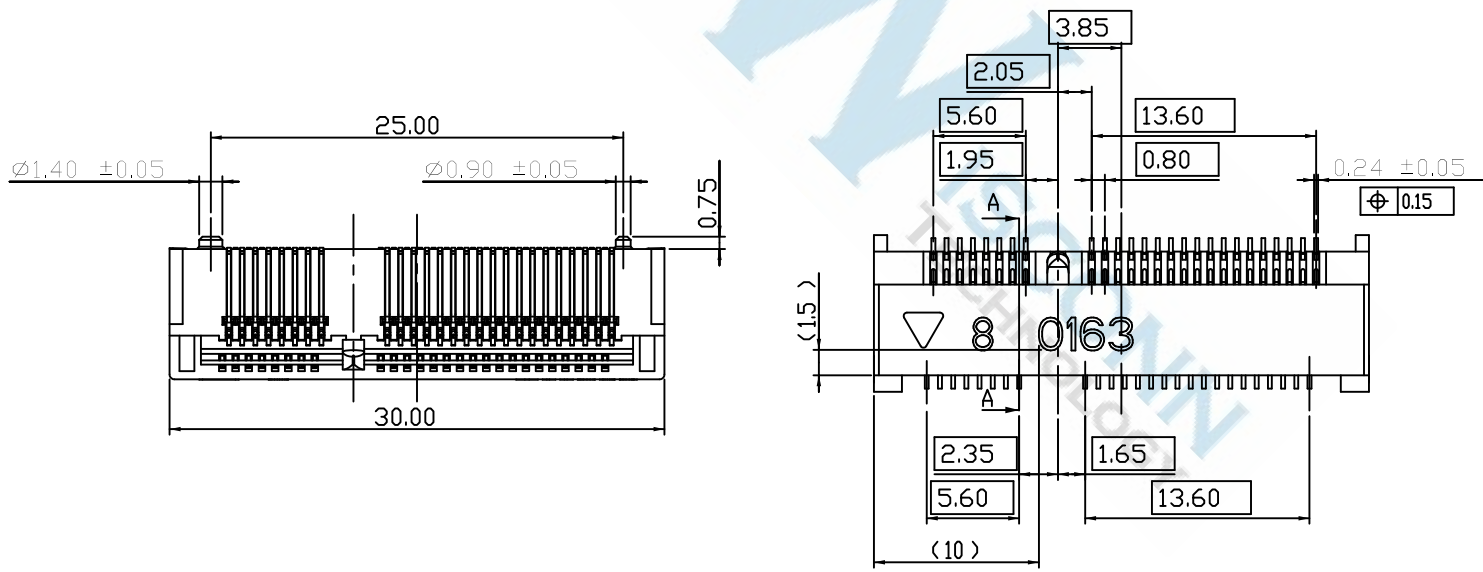
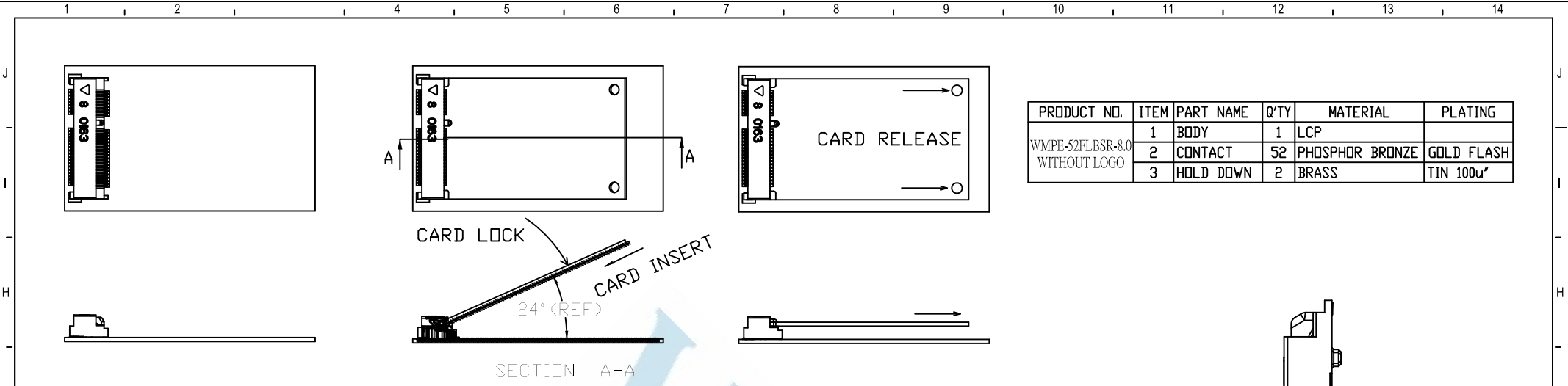


PRODUCT NO.	ITEM	PART NAME	Q'TY	MATERIAL	PLATING
WMPE-52FLBSR-8.0 WITHOUT LOGO	1	BODY	1	LCP	
	2	CONTACT	52	PHOSPHOR BRONZE	GOLD FLASH
	3	HOLD DOWN	2	BRASS	TIN 100u"



DIMENSIONS TOLERANCE METRIC .0=±0.30 .00=±0.20 .000=±0.10 ANG.=±2°	單位(UNITS)	MM	處理(FINISH)	SEE NOTE	審核(CH'K)	Calvin	圖名(NAME)		WISCONN Technology Co., Ltd Tel:02-2742-1798 Fax:02-2742-1898							
	數量(QT'Y)	N/A	繪圖(DRAW)	Johnson	核准(APP'D)	Selena	MINI PCI EXPRESS 8.0 mm HIGH CONNECTOR									
	材料(MT'L)	SEE NOTE	設計(DE'N)	Mike	日期(DATE)	OCT.15.2007	料號(PART NUMBER)	WMPE-52FLBSR-8.0								
							圖號(DRAW NUMBER)	T014	圖檔(FILE NAME .DWG)	比例(SCALE)	1/1	圖紙(SIZE)	A4	頁次(SHEET)	1	版次(REV.)

