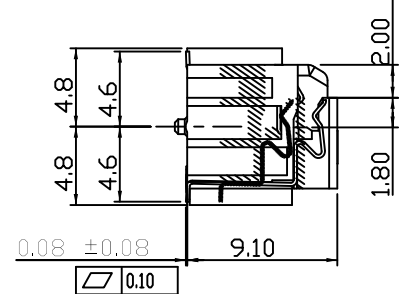
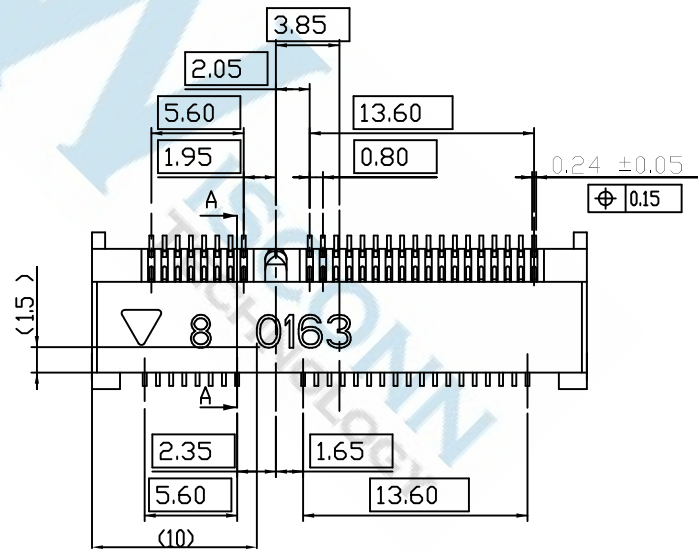
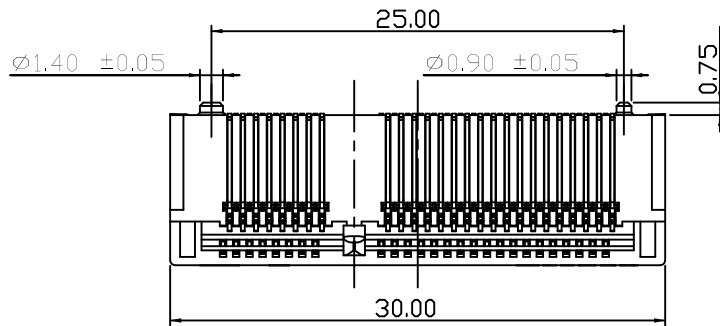
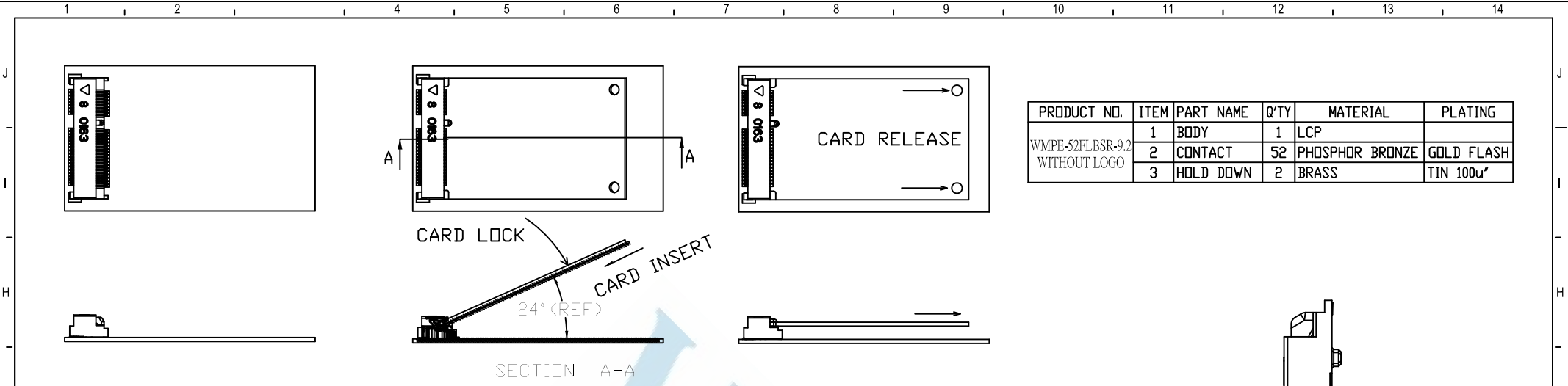
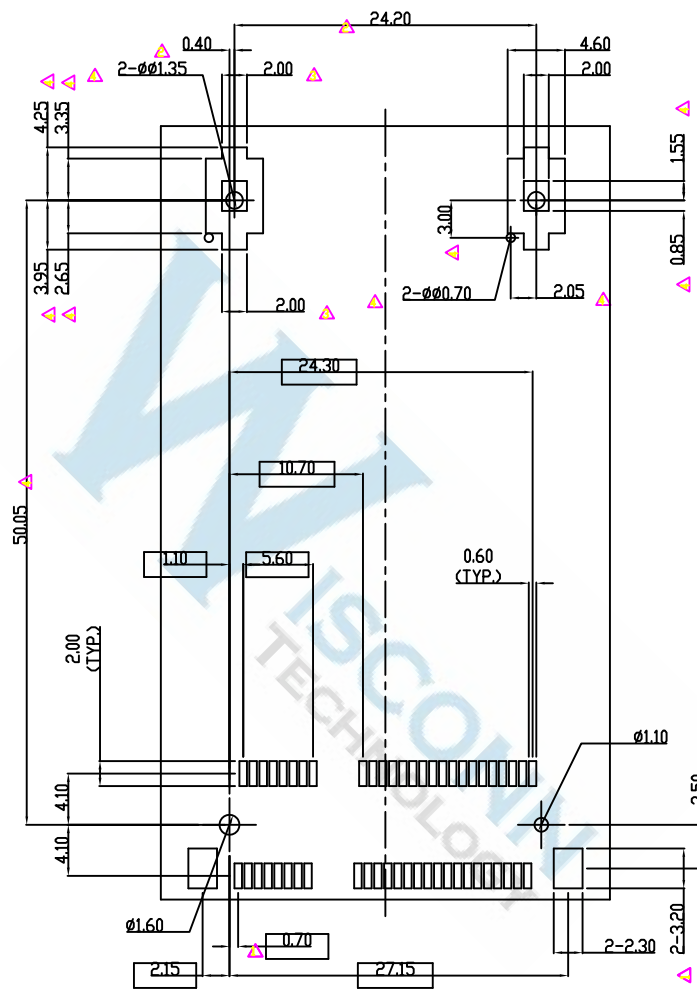


PRODUCT NO.	ITEM	PART NAME	Q'TY	MATERIAL	PLATING
WMPE-52FLBSR-9.2 WITHOUT LOGO	1	BODY	1	LCP	
	2	CONTACT	52	PHOSPHOR BRONZE	GOLD FLASH
	3	HOLD DOWN	2	BRASS	TIN 100u"



SECTION A-A

DIMENSIONS TOLERANCE METRIC .0=±0.30 .00=±0.20 .000=±0.10 ANG.=±2°	單位(UNITS)	MM	處理(FINISH)	SEE NOTE	審核(CH'K)	Calvin	圖名(NAME)		WISCONN Technology Co., Ltd Tel:02-2742-1798 Fax:02-2742-1898							
	數量(QT'Y)	N/A	繪圖(DRAW)	Johnson	核准(APP'D)	Selena	MINI PCI EXPRESS 9.2 mm HIGH CONNECTOR									
	材料(MT'L)	SEE NOTE	設計(DE'N)	Mike	日期(DATE)	OCT.15.2007	料號(PART NUMBER)	WMPE-52FLBSR-9.2								
							圖號(DRAW NUMBER)	T014	圖檔(FILE NAME .DWG)	比例(SCALE)	1/1	圖紙(SIZE)	A4	頁次(SHEET)	1	版次(REV.)



RECOMMEND PC BOARD LAYOUT
 GENERAL TOLERANCE: ±0.05mm

DIMENSIONS TOLERANCE METRIC .0=±0.30 .00=±0.20 .000=±0.10 ANG.=±2°	單位(UNITS)	MM	處理(FINISH)	SEE NOTE	審核(CH'K)	Calvin	圖名(NAME)		WISCONN Technology Co., Ltd Tel:02-2742-1798 Fax:02-2742-1898									
	數量(QTY)	N/A	繪圖(DRAW)	Johnson	核准(APP'D)	Selena	料號(PART NUMBER)							WMPE-52FLBSR-9.2				
	材料(MTL)	SEE NOTE	設計(DE'N)	Mike	日期(DATE)	OCT.15.2007	圖號(DRAW NUMBER)		T014		比例(SCALE)	1/1	圖紙(SIZE)	A4	頁次(SHEET)	1	版次(REV.)	A
							圖檔(FILE NAME .DWG)											