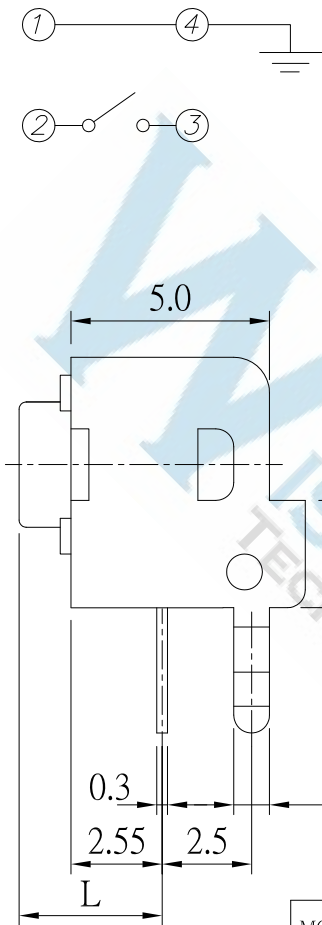
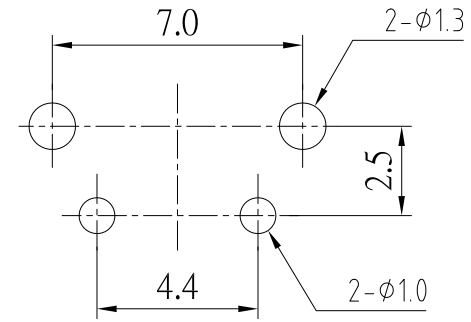


**CIRCUIT DIAGRAM**



**P.C.B LAY OUT**



**SPECIFICATIONS**

Rating	DC 12V 50mA Max.
Contact Resistance	50mΩ Max.
Travel	0.25 ± 0.1mm
Operating Force	1 130 ± 30gf 2 160 ± 50gf 3 250 ± 50gf
Operating Life (cycle)	100,000 cycles

MODEL NO.	WTS-02ADR-A	WTS-02ADR-B	WTS-02ADR-C	WTS-02ADR-D	WTS-02ADR-E	WTS-02ADR-F	WTS-02ADR-G	WTS-02ADR-H	WTS-02ADR-I
L (mm)	3.15	3.85	5.85	6.85	8.35	6.15	11.35	11.85	15.85

DIMENSIONS TOLERANCE <b>METRIC</b> .0=±0.30 .00=±0.20 .000=±0.10 ANG.=±2°	單位<UNITS>	MM	處理<FINISH>	SEE NOTE	審核<CH'K>	Calvin	圖名<NAME>				<b>WISCONN Technology Co., Ltd</b> Tel:02-2742-1798 Fax:02-2742-1898											
	數量<QT'Y>	N/A	繪圖<DRAW>	Johnson	核准<APP'D>	Selena									TACT SWITCH							
	料號<PART NUMBER>	WTS-02ADR-x						料號<PART NUMBER>	WTS-02ADR-x						比例<SCALE>	1/1	圖紙<SIZE>	A4	頁次<SHEET>	1	版次<REV.>	A
	材料<MT'L>	SEE NOTE	設計<DE'N>	Mike	日期<DATE>	OCT.15.2007	圖號<DRAW NUMBER>	T002		圖檔<FILE NAME .DWG>												